



# CHALLENGER® 3 AL5900

IP66



## Benefits

- The Challenger® 3 delivers an optically precise symmetrical beam specifically designed and suited to stadium floodlighting requirements

## Technical Features

- Body of high pressure die-cast aluminium, finished in light grey (RAL7035), polyester powder coating
- Reflector system of high purity, polished and anodised aluminium. Incorporating an internal baffle to improve efficiency and reduce glare
- Toughened front glass, secured by cast aluminium front frame
- Galvanised steel stirrup, with additional elevation locking screws
- Electrical connection box (IP66) housing ignitor, located on side of stirrup, fitted with 2 x Gore™ membrane breathers

- Designed to accept double ended, short arc 2kW or 1kW metal halide lamps
- Dual provision on side of floodlight body to attach gun sight aiming device to allow accurate beam alignment (AL5931)
- Easy access for re-lamping via opening of the rear cover. Positive closure via large stainless steel catch

## Options

- Half concentric louvre (AL5921) or single blade visor (AL5922) to reduce light pollution.
- Gun sight aiming kit, incorporating gun sight and bracket (AL5931)



Lord's, London

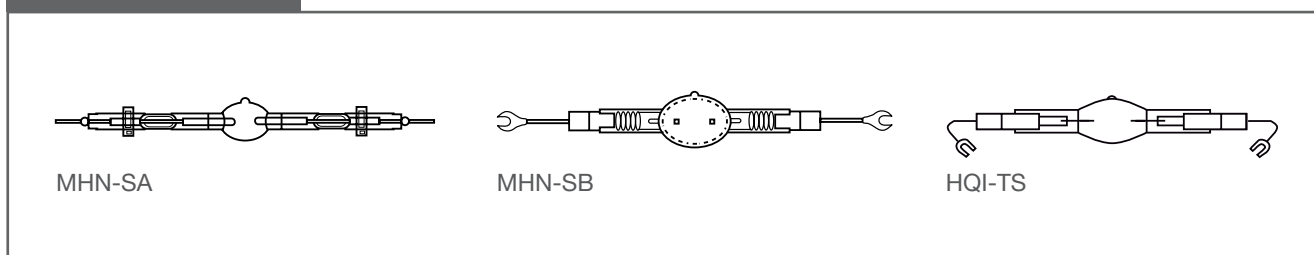
## Technical Specifications

	Beam Type	Lamp: Manufacturer Product Code	Lamp Manufacturer	Lamp: Abacus Product Code	Lamp Holder
<b>AL5901</b>	Narrow	2kW: HQI-TS 2000WDS	Osram	LPW2000M/D	K12s-7 cable
<b>AL5902</b>	Medium	2kW: HQI-TS 2000WDS	Osram	LPW2000M/D	K12s-7 cable
<b>AL5903</b>	Wide	2kW: HQI-TS 2000WDS	Osram	LPW2000M/D	K12s-7 cable
<b>AL5904</b>	Narrow	1kW: HQI-TS 1000WDS	Osram	LPW1000MB/L	K12s-7 cable
<b>AL5905</b>	Medium	1kW: HQI-TS 1000WDS	Osram	LPW1000MB/L	K12s-7 cable
<b>AL5906</b>	Wide	1kW: HQI-TS 1000WDS	Osram	LPW1000MB/L	K12s-7 cable
<b>AL5907</b>	Narrow	MHN-SA 2KW 400V /956	Philips	LPP2000MHN-SA	XW UNP
<b>AL5908</b>	Medium	MHN-SA 2KW 400V /956	Philips	LPP2000MHN-SA	XW UNP
<b>AL5909</b>	Wide	MHN-SA 2KW 400V /956	Philips	LPP2000MHN-SA	XW UNP
<b>AL5910</b>	Extra Narrow	MHN-SA 2KW 400V /956	Philips	LPP2000MHN-SA	XW UNP
<b>AL5911</b>	Narrow	MHN-SB/HO 2KW 400V /956	Philips	LPP2000MHN-SB	K12s-7 WH UNP
<b>AL5912</b>	Medium	MHN-SB/HO 2KW 400V /956	Philips	LPP2000MHN-SB	K12s-7 WH UNP
<b>AL5913</b>	Wide	MHN-SB/HO 2KW 400V /956	Philips	LPP2000MHN-SB	K12s-7 WH UNP
<b>AL5914</b>	Extra Narrow	MHN-SB/HO 2KW 400V /956	Philips	LPP2000MHN-SB	K12s-7 WH UNP

### ELECTRONIC CONTROL GEAR AVAILABLE

Please request when quoting and ordering.

### Lamp references



Lamp Manufacturer & Lamp Reference	Lamp Wattage (kW)	Colour Temp. (K)	RA	Lamp Lumen Output (Initial lm)	Lamp Current (A)	Supply Voltage (V)	Total Circuit Power (W)
<b>Philips</b> MHN-SB 2000W/956	2	5600	90	200000	11.5	380/400/415	2136
<b>Philips</b> MHN-SB/HO 2000W/956	2	5600	90	220000	11.5	380/400/415	2136
MHN-SA 2000W/956	2	5600	90	200000	11.3	380/400/415	2136
<b>Osram</b> HQI-TS2000/D/S	2	5900	93	200000	11.5*	380/400/415	2105
HQI-TS1000/D/S	1	5900	90	90000	9.4	380/400/415	1140

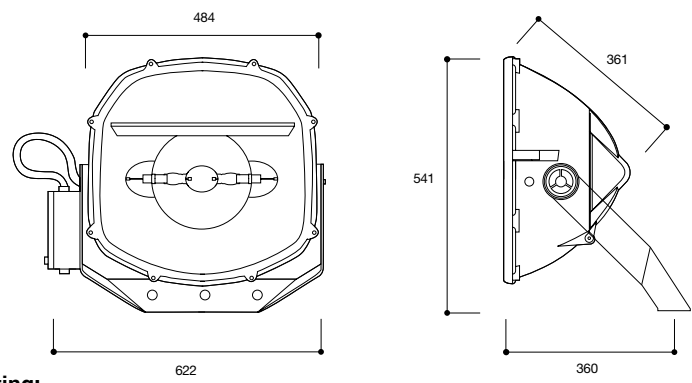
\*Measured on a 10.3A ballast.

Technical information may alter dependent on control gear used



## Dimensions

Dimensions in mm



**Mounting:**  
 Stirrup mounted using M20 fixing  
 Stirrup adjustment +/- 140°  
 No baffle in extra narrow version

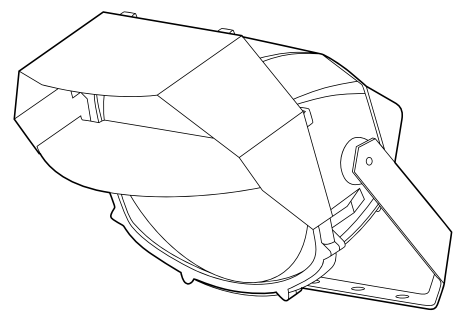
**Weight:** 15kg. **Front wind area:** 0.196m<sup>2</sup>  
 at 70° elevation

## Maintenance

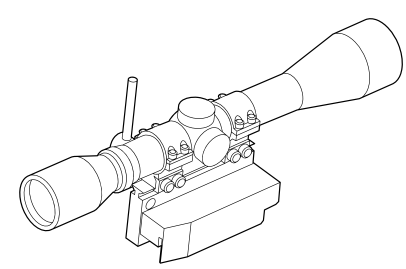


**Easy Maintenance:**  
 Access to the lamp by means of opening the rear door

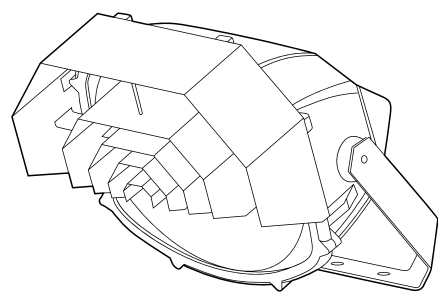
## Accessories



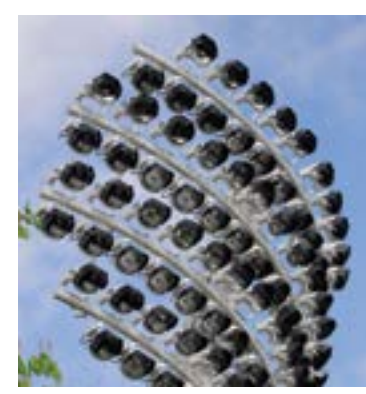
**Single blade louvre – AL5922**  
 This accessory for the Challenger® 2 & 3 minimises upward light while maintaining good vertical lighting levels on the playing field



**Aiming tool kit – AL5931**  
 Set of equipment and instructions to enable the Challenger® 2 & 3 to be aimed with pinpoint accuracy to a specific point on the design area. Allows the highest level of control over the aiming and commissioning part of a floodlighting project

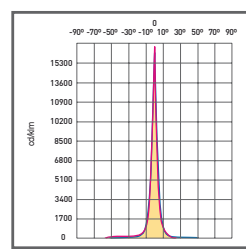


**Half concentric louvre – AL5921**  
 This accessory for the Challenger® 3 provides the highest level of upward light and overspill control

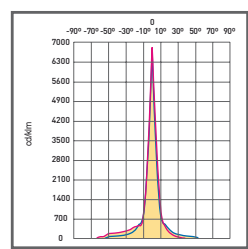


Challenger® 3 with louvres

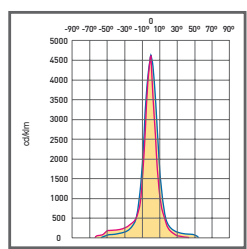
## Key features



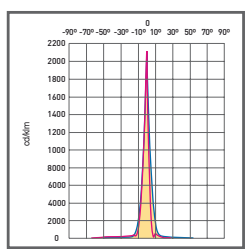
**AL5911**  
 MHN-SA Pro 2kW  
 Narrow beam



**AL5912**  
 MHN-SB Pro 2kW  
 Medium beam



**AL5913**  
 MHN-SB Pro 2kW  
 Wide beam



**AL5914**  
 MHN-SB Pro 2kW  
 Extra narrow beam