

Redefining the benchmark for bollard performance

This next generation of LED bollard takes the existing tried and tested design of the LED Quartz and combines it with the latest cutting edge optical technologies.

With power consumption reduced by almost 50% against the original product, significant performance gains and market leading bollard spacings greater than any other product on the market, the Quartz Evo redefines the benchmark of modern bollard lighting.

Key Features

- Impact resistant steel tubing and circular design ideal for high movement areas
- Revolutionary low glare optic design giving unrivalled uniformity and bollard spacing
- Symmetrical and asymmetrical options to suit all requirements
- Wider door width for ease of installation and maintenance
- Quarter turn closing mechanism for ease of use
- Vandal resistant flush door and fixings
- Also available in non-conductive GRP material
- Flange plated and root mounted options available
- Low inrush current
- 3 hour emergency backup option available



AL9200 SERIES Quartz Evo Bollard

Abacus®

Leaders in Lighting

Technical Specifications

Technical specification	Asymmetric	Symmetric
Power (W)	12.8W	16.2W
Luminous Flux (net)	1590 lm	2050 lm
Weight	Alloy head: 4.5kg Flange base: 5.6kg Root base: 6kg	
Colour Temperature	4000K (3000K optional*)	
Colour Rendering Index (CRI)	70Ra	
Colours	Jet Black: RAL9005 (options available*)	
Lifetime	L90B10 > 80,000hrs @25deg ambient	

Spacings and Example Levels

Beam Type	Spacing (m)	Ave	Min	Unif
Asymmetric	10	21.1	10.8	0.51
	12	17.6	5.9	0.34
	15	14.1	2.5	0.18
	18	11.8	1.2	0.10
Symmetric	20	10.2	0.8	0.08
	10	17.4	9.6	0.55
	12	14.5	6	0.41
	15	11.6	2.8	0.24
	20	8.7	1.0	0.11

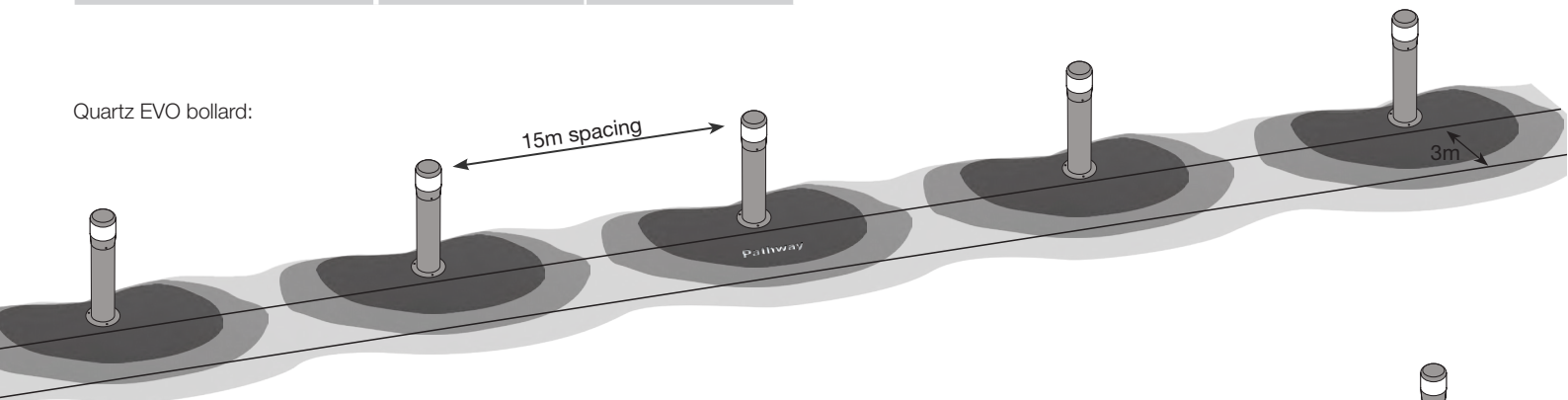
This information is based on a straight, 3m wide path with no obstructions and bollards 700m back to center

*Please contact Abacus for further details on non-standard options, MOQs may apply.

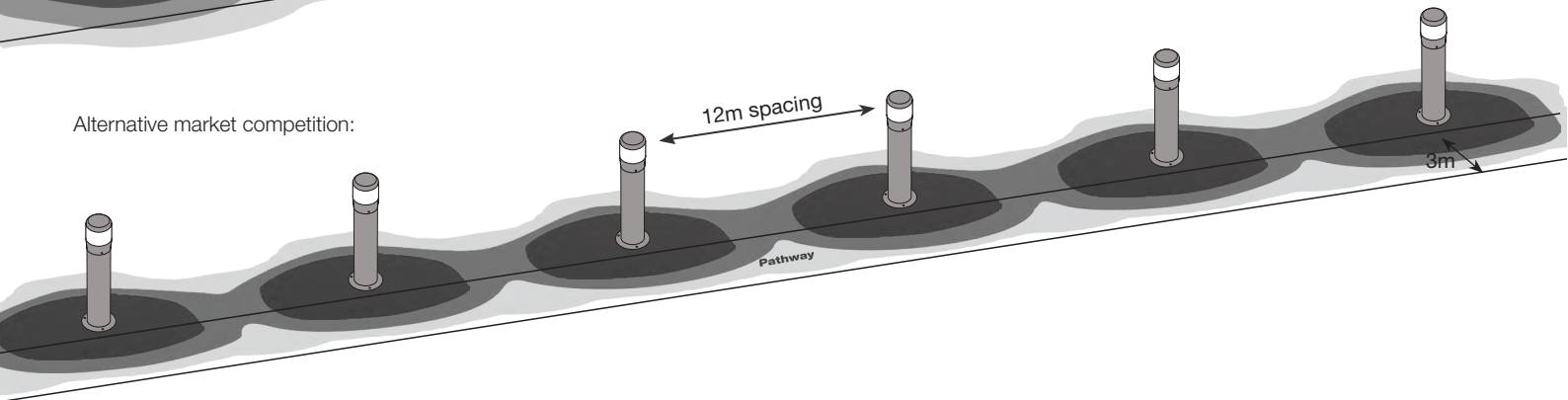
Market Competition

Distance	Quantity of bollards needed	
	Quartz EVO	Market Competition
200m	14	17
300m	20	25
500m	34	42

Quartz EVO bollard:



Alternative market competition:



AL9200 SERIES Quartz Evo Bollard

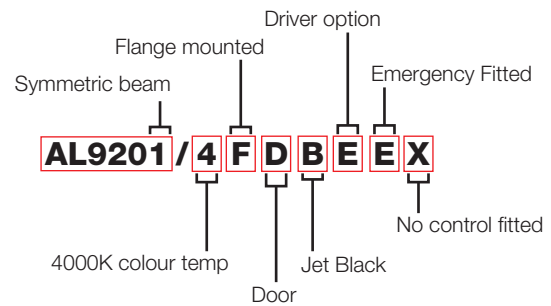
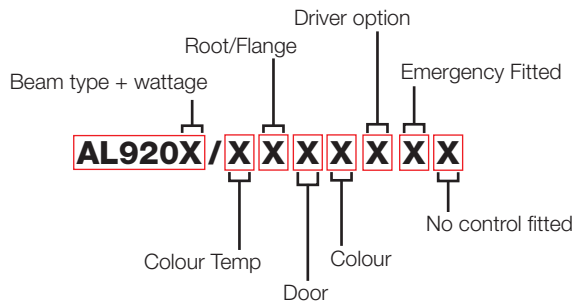
Abacus®

Leaders in Lighting

Product Code Selection

Beam Type & Power	Colour Temp (CCT)	Mounting	Door	Colour	Driver Option	Emergency	Control
AL9201 Symmet-	4 = 4000K	F = Flange Mounted	D = Door	Jet Black : RAL9005	A = 1-10	E = Fitted	X = Not fitted
AL9202 Asymmet-	3 = 3000K*	R = Root Mounted*	X = No door	Silver : RAL9006*	B = DALI	X = Not	Options TBC

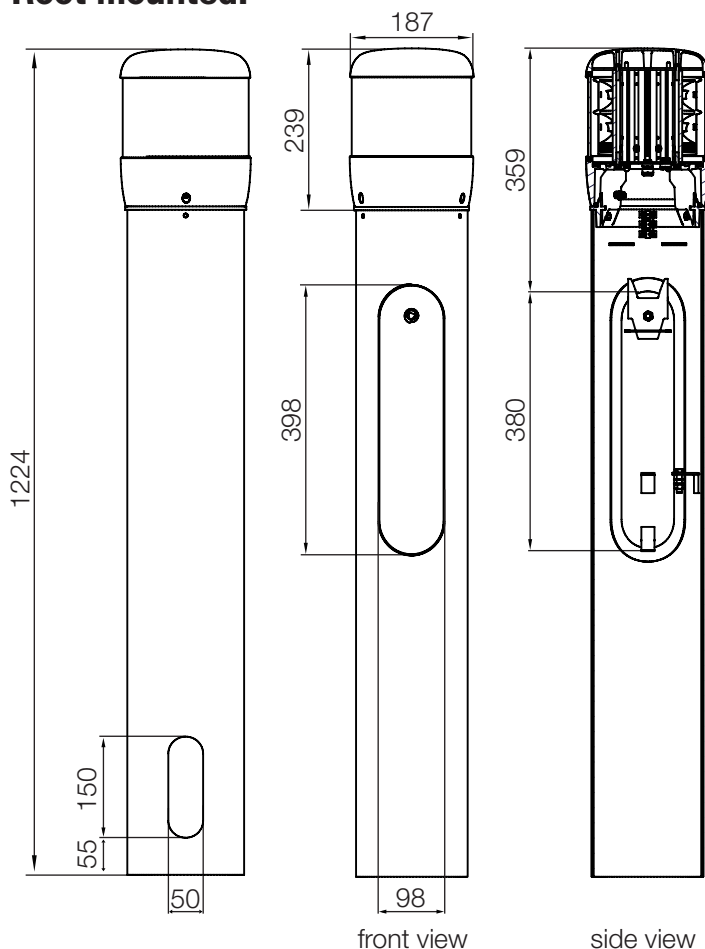
Example Product Selection:



*Please contact Abacus for further details on non-standard options, MOQs may apply.

Dimensions

Root mounted:



Flange plate:

